

53-1002176-03
5 August 2013



Slim Rail Rack Mount Kit

Installation Procedure

Supporting Brocade 6510, 6505

BROCADE

53-1002176-03



Copyright © 2011-2013 Brocade Communications Systems, Inc. All Rights Reserved.

ADX, AnyIO, Brocade, Brocade Assurance, the B-wing symbol, DCX, Fabric OS, ICX, MLX, MyBrocade, OpenScript, VCS, VDX, and Vyatta are registered trademarks, and HyperEdge, The Effortless Network, and The On-Demand Data Center are trademarks of Brocade Communications Systems, Inc., in the United States and/or in other countries. Other brands, products, or service names mentioned may be trademarks of their respective owners.

Notice: This document is for informational purposes only and does not set forth any warranty, expressed or implied, concerning any equipment, equipment feature, or service offered or to be offered by Brocade. Brocade reserves the right to make changes to this document at any time, without notice, and assumes no responsibility for its use. This informational document describes features that may not be currently available. Contact a Brocade sales office for information on feature and product availability. Export of technical data contained in this document may require an export license from the United States government.

The authors and Brocade Communications Systems, Inc. shall have no liability or responsibility to any person or entity with respect to any loss, cost, liability, or damages arising from the information contained in this book or the computer programs that accompany it.

The product described by this document may contain "open source" software covered by the GNU General Public License or other open source license agreements. To find out which open source software is included in Brocade products, view the licensing terms applicable to the open source software, and obtain a copy of the programming source code, please visit <http://www.brocade.com/support/oscd>.

Brocade Communications Systems, Incorporated

Corporate and Latin American Headquarters
Brocade Communications Systems, Inc.
130 Holger Way
San Jose, CA 95134
Tel: 1-408-333-8000
Fax: 1-408-333-8101
E-mail: info@brocade.com

Asia-Pacific Headquarters
Brocade Communications Systems China HK, Ltd.
No. 1 Guanghua Road
Chao Yang District
Units 2718 and 2818
Beijing 100020, China
Tel: +8610 6588 8888
Fax: +8610 6588 9999
E-mail: china-info@brocade.com

European Headquarters
Brocade Communications Switzerland Sàrl
Centre Swissair
Tour B - 4ème étage
29, Route de l'Aéroport
Case Postale 105
CH-1215 Genève 15
Switzerland
Tel: +41 22 799 5640
Fax: +41 22 799 5641
E-mail: emea-info@brocade.com

Asia-Pacific Headquarters
Brocade Communications Systems Co., Ltd. (Shenzhen WFOE)
Citic Plaza
No. 233 Tian He Road North
Unit 1308 - 13th Floor
Guangzhou, China
Tel: +8620 3891 2000
Fax: +8620 3891 2111
E-mail: china-info@brocade.com

Document History

Title	Publication number	Summary of changes	Date
Slim Rail Rack Mount Kit Installation Procedure	53-1002176-01	New document	April 2011
Slim Rail Rack Mount Kit Installation Procedure	53-1002176-02	Added Brocade 6505	December 2011
<i>Slim Rail Rack Mount Kit Installation Procedure</i>	53-1002176-03	Corrected rack depth information.	August 2013

Installation requirements

ATTENTION

The rails in the Slim Rail Rack Kit have been specially designed for the Brocade 6510 and 6505. Because the switch is slightly wider than most switches, the rails are narrower to account for the additional width. Do not attempt to mount the 6510 or 6505 with standard rail kits.

Allow 15 to 30 minutes to complete this procedure. Note the following requirements to ensure correct installation and operation:

- Provide space in a EIA rack, as required for the switch type, with a minimum distance of 27 in. (68.58 cm) and a maximum distance of 31 in. (78.74 cm) between the front and back posts.
- Verify that the additional weight of the switch does not exceed the rack's weight limits.
- Ensure that an electrical branch circuit with the following characteristics is available:
 - Required voltage and frequency as indicated in the hardware reference manual. (200-240 VAC is always preferred)
 - Protection by a circuit breaker in accordance with local electrical codes.
 - Supply circuit, line fusing, and wire size that conform to the electrical rating on the switch nameplate.
 - Grounded outlet compatible with the power cord and installed by a licensed electrician.
- Ensure that all equipment installed in the rack is grounded through a reliable branch circuit connection. Do not rely on a secondary connection to a branch circuit, such as a power strip.
- Ensure that the rack is mechanically secured to ensure stability.
- Ensure that the air temperature at the fan inlet is less than 40^o Celsius (104^o Fahrenheit) during switch operation.
- Ensure that the airflow available at the air vents meets the minimum requirements for the switch.

ATTENTION

Ensure that the switch is oriented properly with the air-intake aisle. The power supply and fan FRU airflow must be the same to prevent overheating. If both FRUs have the Intake (I) label or no label, orient the switch with the fan facing the air-intake aisle. If both FRUs have the Exhaust (E) label, orient the port side of the switch to face the air-intake aisle.

Time Required

Allow 15 to 30 minutes to complete this procedure.

Items Required

The following items are required to install a switch using the slimline fixed rack mount kit:

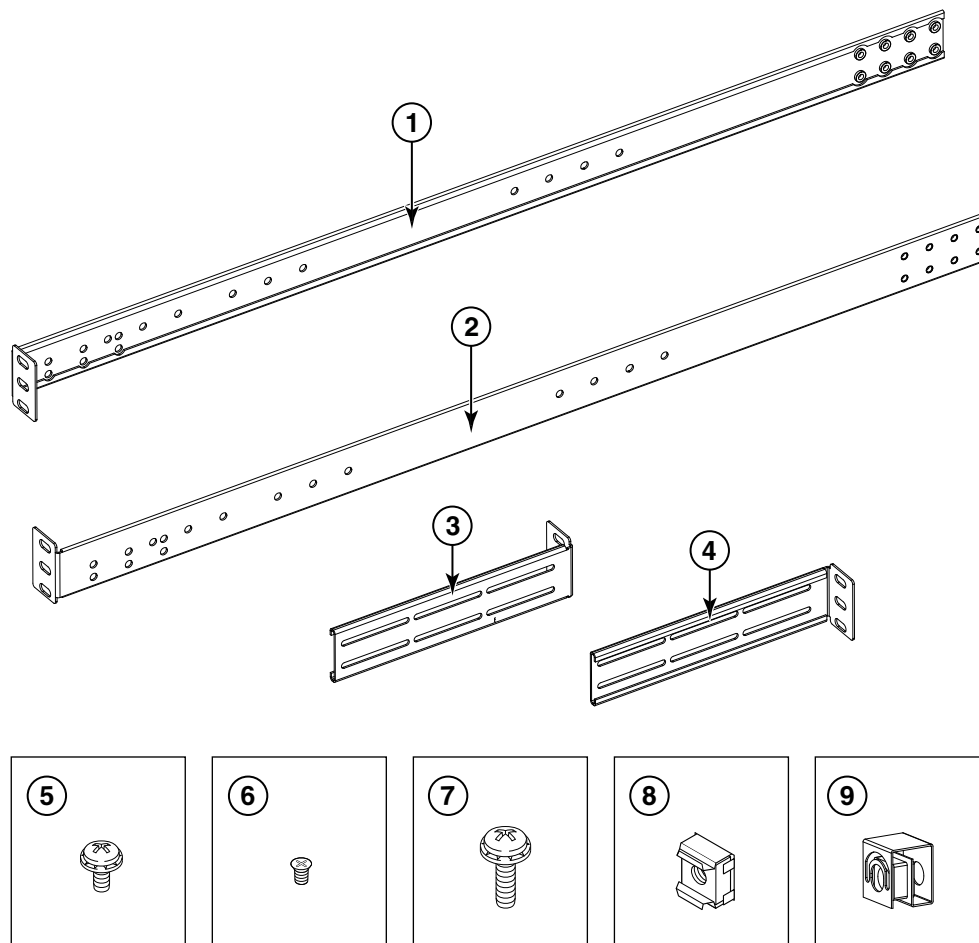
- Clamps or other means of temporarily supporting the switch in the rack.
- Phillips #2 screwdriver with torque capability.
- 1/4 in. slotted-blade screwdriver with torque capability.

Parts List

Ensure that the items listed in [Table 1](#) and illustrated in [Figure 1](#) are included in the kit.

TABLE 1 Parts list for mounting kit for 4-post rack

Part number	Description	Quantity
42-1000662	Bracket, front right	1
42-1000664	Bracket, front left	1
42-1000665	Bracket, rear left	1
42-1000663	Bracket, rear right	1
52-0200050	Screw, 8-32 x 5/16 in., panhead Phillips (torque to 15 in-lb, 17 cm-kg)	10
52-0000241	Screw, 6-32 x 1/4 in., flathead Phillips (torque to 9 in-lb, 10 cm-kg)	8
52-0000211	Screw, 10-32 x 5/8 in., panhead Phillips (torque to 25 in-lb, 29 cm-kg)	8
52-0000210	Retainer nut, 10-32	8
52-0000270	Retainer nut, 10-32, round holes	8



- | | | | |
|---|--|---|---|
| 1 | Bracket, front right | 6 | Screw, 6-32 x 1/4 in., flathead Phillips |
| 2 | Bracket, front left | 7 | Screw, 10-32 x 5/8 in., panhead Phillips |
| 3 | Bracket, rear left | 8 | Retainer nut, 10-32, (for square-hole rack rails) |
| 4 | Bracket, rear right | 9 | Retainer nut, 10-32, (for round-hole rack rails) |
| 5 | Screw, 8-32 x 5/16 in., panhead Phillips | | |

FIGURE 1 Items in slimline fixed rack mount kit

Installation procedure

ATTENTION

The switch must be turned off and disconnected from the fabric during this procedure.

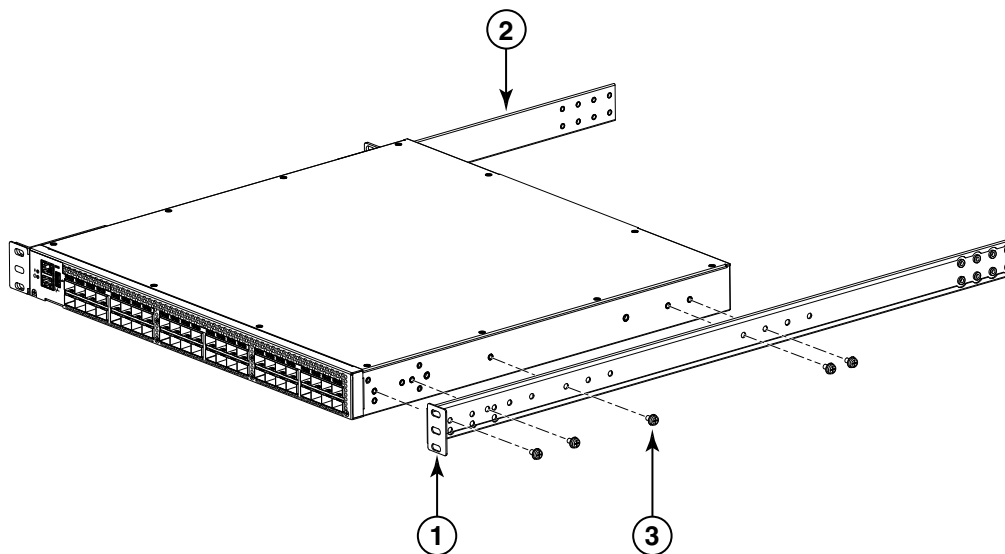
Complete these tasks to install the switch in a rack:

- “Attaching front brackets”
- “Installing the switch in the rack”
- “Attaching rear brackets to front brackets”
- “Attaching rear brackets to rack rails”

Attaching front brackets

Complete the following steps to attach the front brackets to the switch.

1. Position the right front bracket with the flat side against the right side of the switch ([Figure 2](#)).
2. Insert two 8-32 x 5/16 in. screws into one of the pairs of vertically aligned holes in the bracket and then into the pair of holes on the side of the switch. There are three pairs of vertically aligned holes in the brackets. To install the switch flush to the front of the rack, use the pair of holes at the front of the bracket. To install the switch in a recessed position in the rack, use one of the other two pairs of bracket holes that are set back from the end of the bracket.
3. Insert each 8-32 x 5/16 in. screw through the holes in the bracket and into the corresponding hole in the switch and tighten all 8-32 x 5/16 in. screws to a torque of 15 in-lb (17 cm-kg).
4. Repeat [step 1](#) through [step 3](#) to attach the left front bracket to the left side of the switch.



- 1 Bracket, front right
2 Bracket, front left

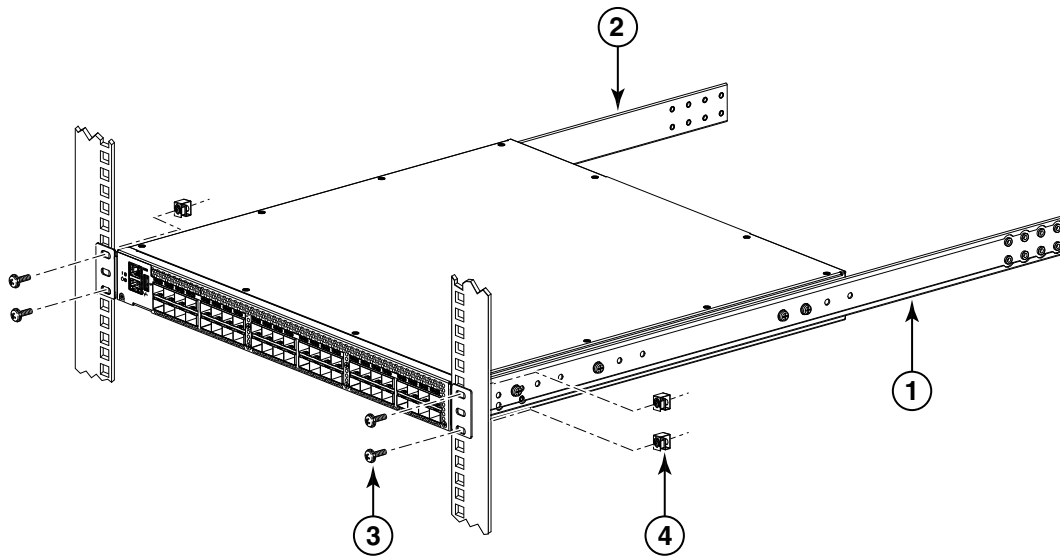
- 3 Screw, 8-32 x 5/16 in., panhead Phillips (5 per side)

FIGURE 2 Position the front bracket (6510 shown, 6505 similar)

Installing the switch in the rack

Complete the following steps to install the switch in the rack.

1. Position the switch in the rack (Figure 3), providing temporary support under the switch until the rail kit is secured to the rack.
2. Attach the right front bracket to the right front rack post using two 10-32 x 5/8 in. screws and two retainer nuts.
3. Repeat step 2 to attach the left front bracket to the left front rack post and tighten all 10-32 x 5/8 in. screws to a torque of 25 in-lb (29 cm-kg).



- | | | | |
|---|----------------------|---|---|
| 1 | Bracket, front right | 3 | Screw, 10-32 x 5/8 in., panhead Phillips |
| 2 | Bracket, front left | 4 | Retainer nut, 10-32, square or round hole as needed |

FIGURE 3 Position the switch in the rack (6510 shown, 6505 similar)

Attaching rear brackets to front brackets

Complete the following steps to attach the rear brackets to the front brackets.

1. Position the right rear bracket inside the right front bracket (Figure 4).
2. Attach the brackets using four 6-32 x 1/4 in. screws.
3. Adjust the brackets to rack depth and tighten the screws to a torque of 9 in-lb (10 cm-kg).

- Repeat [step 1](#) through [step 3](#) to attach the left rear bracket to the left front bracket.

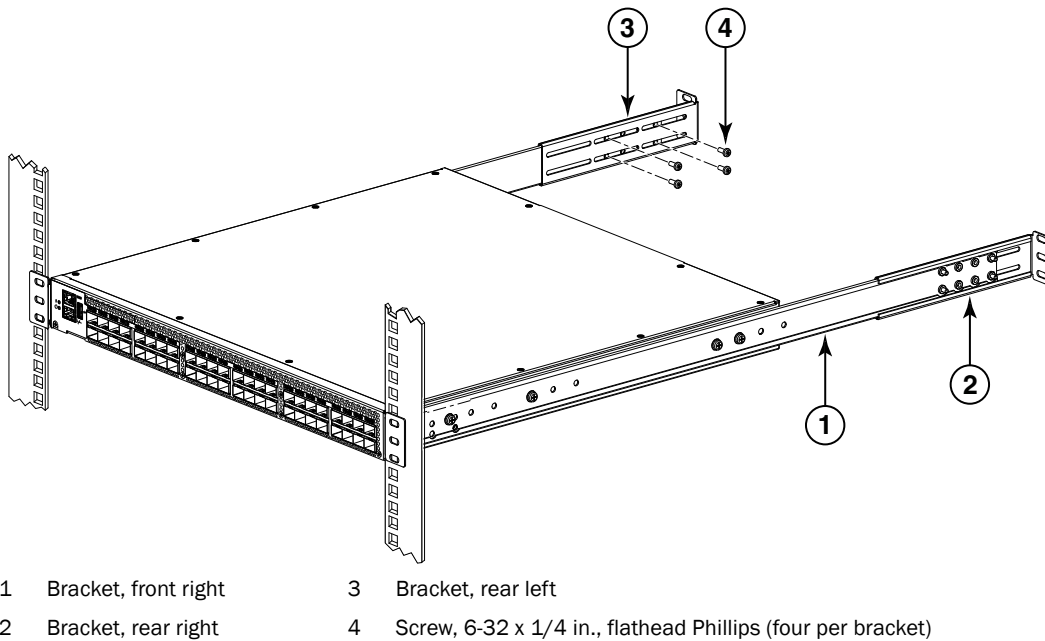


FIGURE 4 Position the rear and front brackets (6510 shown, 6505 similar)

Attaching rear brackets to rack rails

Complete the following steps to attach the rear brackets to the rack rails.

- Attach the right rear bracket to the right rear rack rail using two 10-32 x 5/8 in. screws and two retainer nuts ([Figure 5](#)).
- Repeat [step 1](#) to attach the left rear bracket to the left rear rack rail and tighten all the 10-32 x 5/8 in. screws to a torque of 25 in-lb (29 cm-kg).
- Provide power to the switch by connecting the power cords to the power connectors on the switch and a power outlet. Some switches require you to flip a power switch to be powered on.

ATTENTION

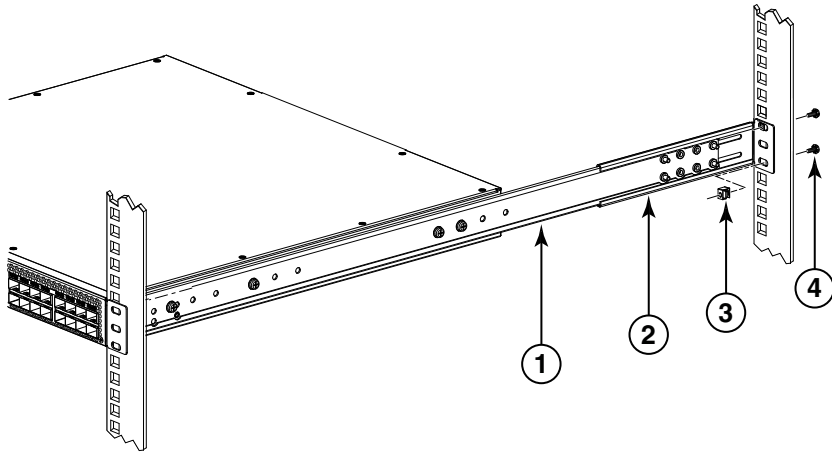
Connect the power cords to a grounded outlet only. Ensure that any power cord is routed so that it is not exposed to stress. Leave a minimum service loop of 6 in. in the power cords at the connection to switch. This allows enough freedom of movement to plug and unplug the power cords.

NOTE

If your power cord management scheme involves supporting the power cord on the rack rail, Brocade recommends that you purchase adhesive-backed cable retainers and fasten these to the rails to hold the cords.

NOTE

Do not connect the switch to the network until the IP address is correctly set. Refer to the appropriate hardware reference manual for information on setting the IP address for the switch.



- | | | | |
|---|----------------------|---|--|
| 1 | Bracket, front right | 3 | Retainer nut, 10-32, square or round holes as needed |
| 2 | Bracket, rear right | 4 | Screw, 10-32 x 5/8 in., panhead Phillips |

FIGURE 5 Attach the rear bracket to the rack post (6510 shown, 6505 similar)

